

NanoPi NEO Air

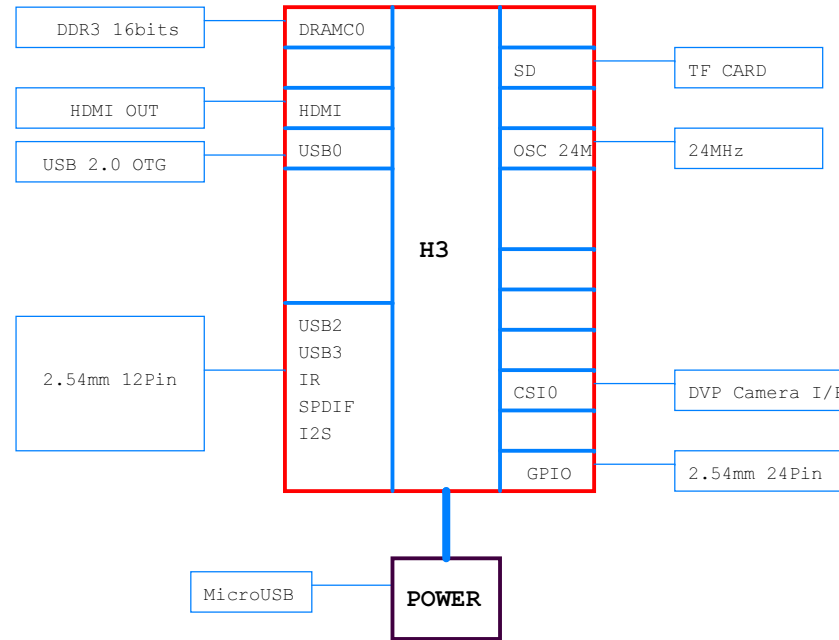
Revision

1608 , First Release

FRIENDLYARM

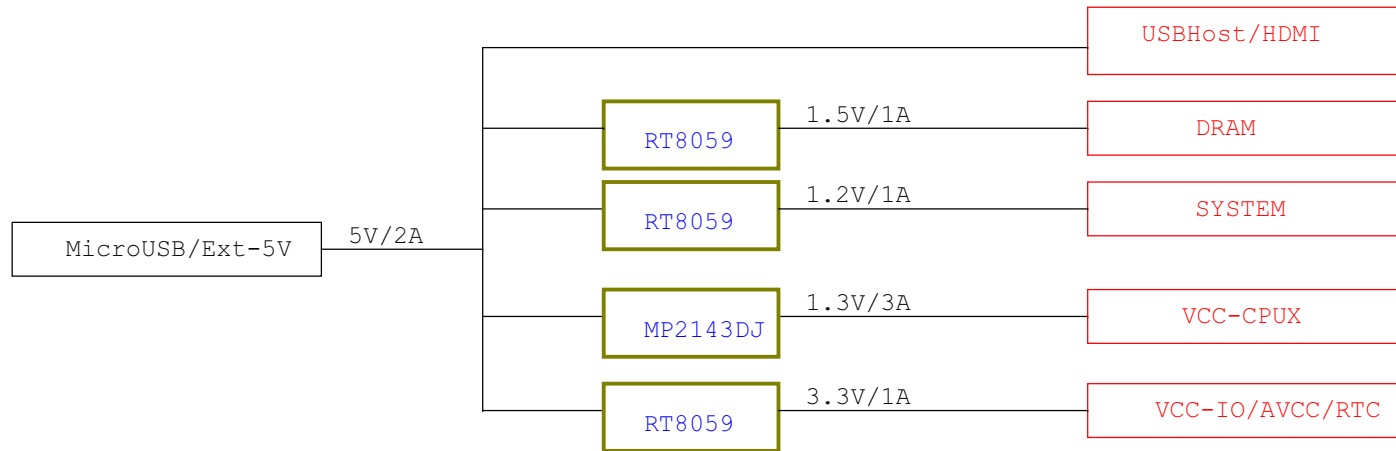
NanoPi NEO Air		
Size A3	Document Number 01:Title	Rev 1608
Date:	Wednesday, September 28, 2016	Sheet 1 of 13

BLOCK



FRIENDLYARM

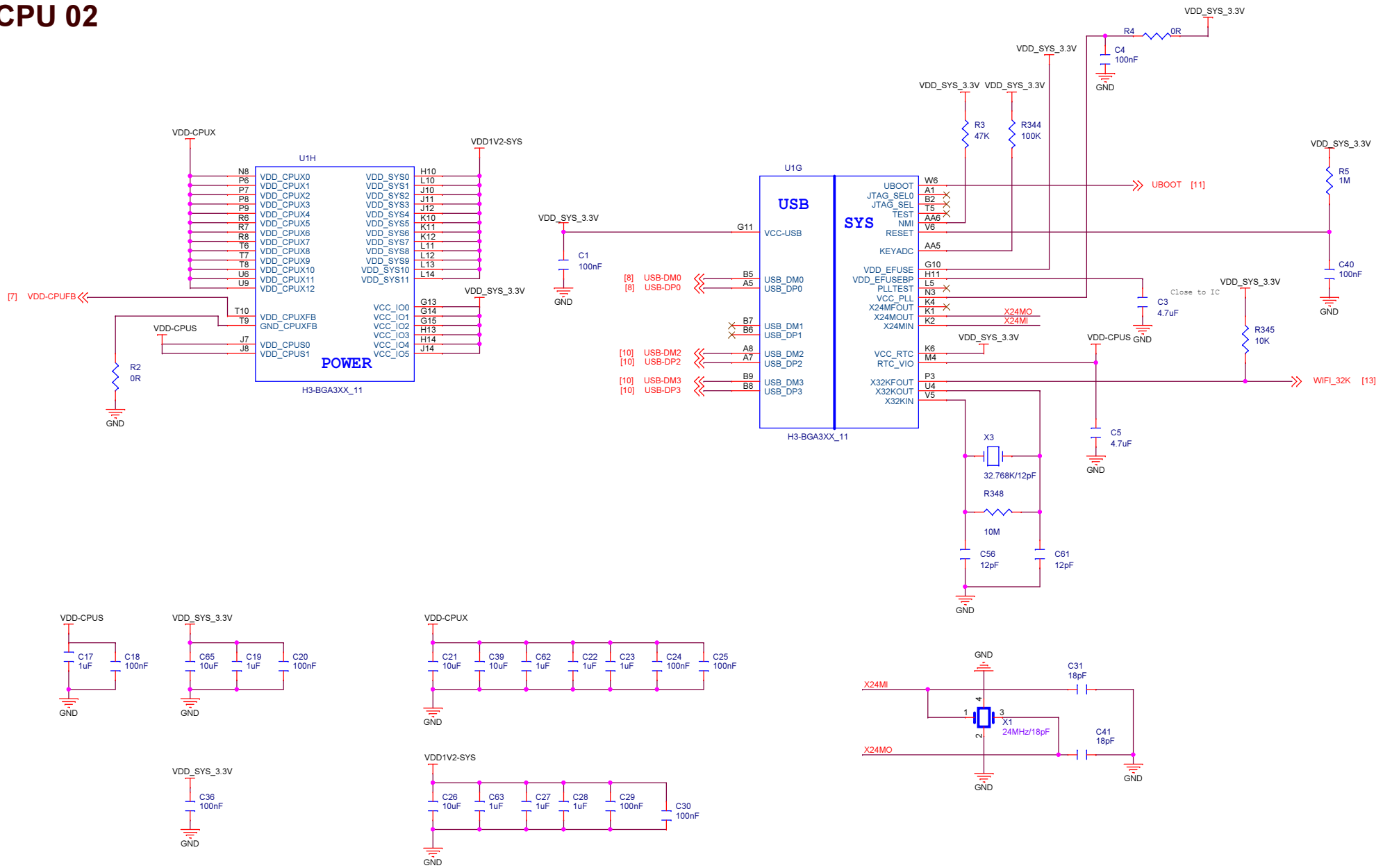
POWER TREE



FRIENDLYARM

NanoPi NEO Air		
Size A3	Document Number 03:Power Tree	Rev 1608
Date:	Wednesday, September 28, 2016	Sheet 3 of 13

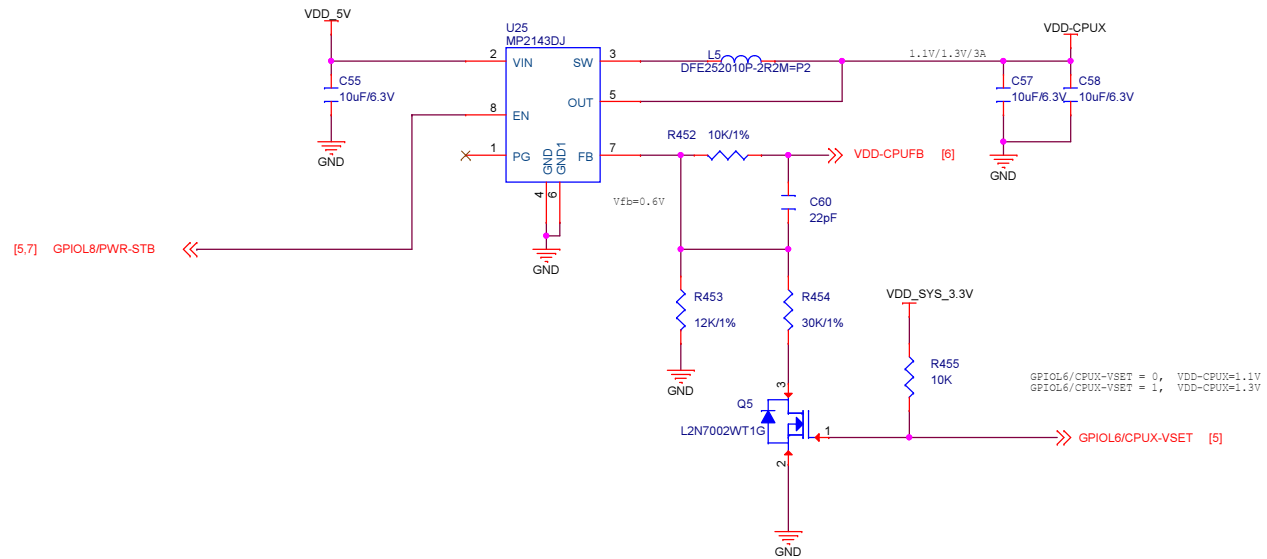
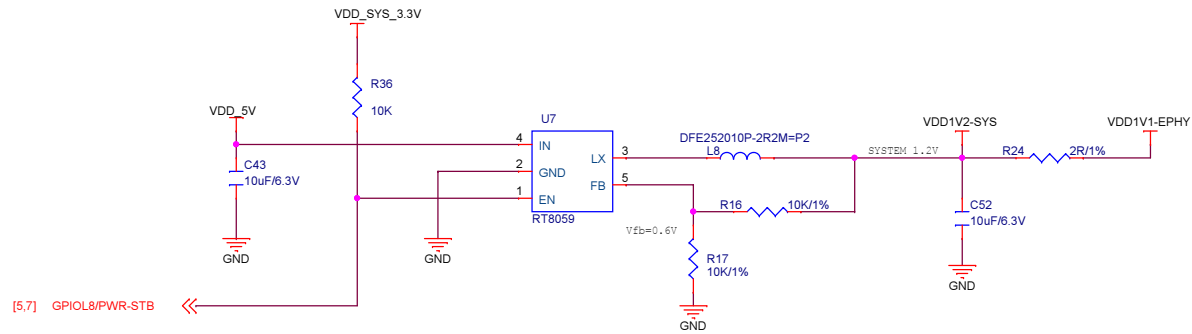
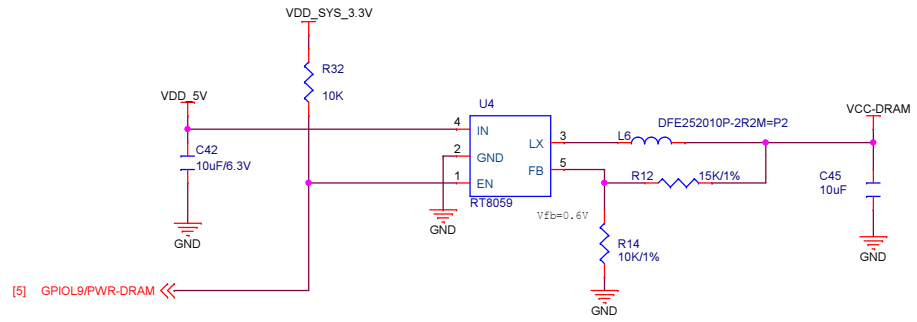
CPU 02



FRIENDLYARM

NanoPi NEO Air		
Size A3	Document Number 06:CPU-H3-02	Rev 1608
Date: Wednesday, September 28, 2016	Sheet 6	of 13

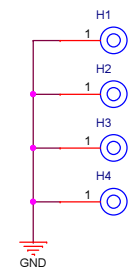
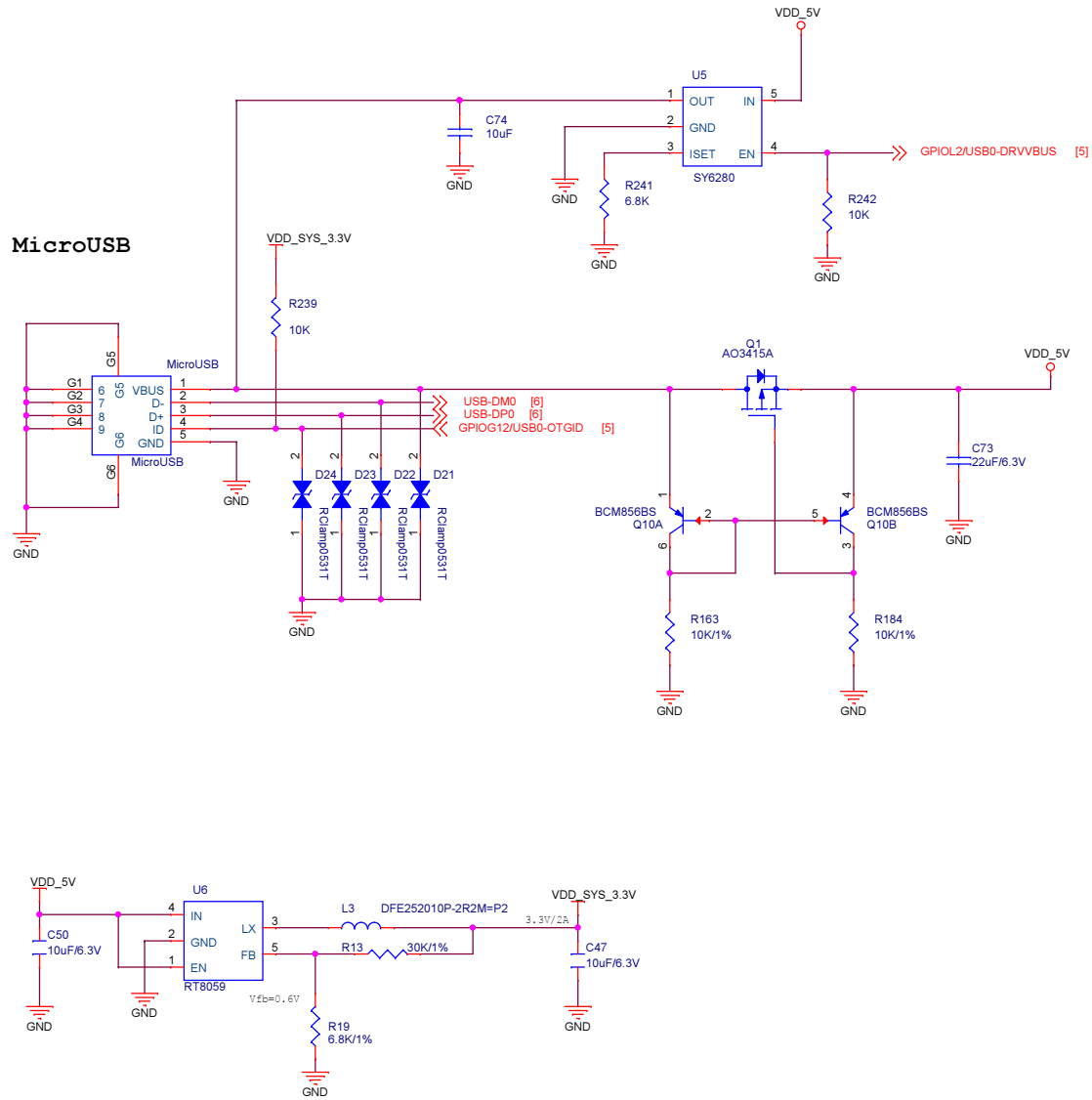
POWER 01



FRIENDLYARM

NanoPi NEO Air		
Size A3	Document Number 07:Power-01	Rev 1608
Date: Wednesday, September 28, 2016	Sheet 7	of 13

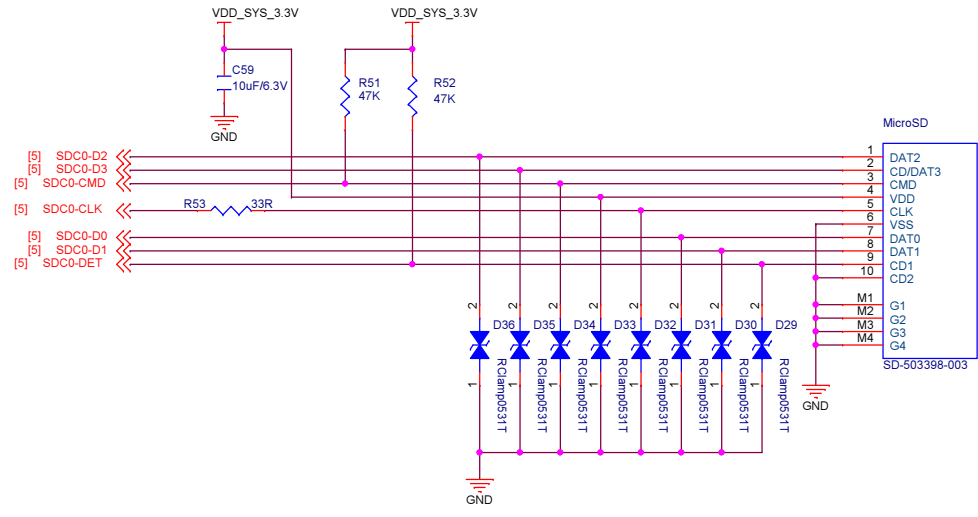
POWER 02



FRIENDLYARM

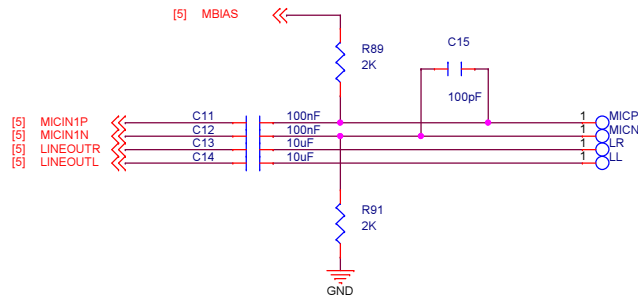
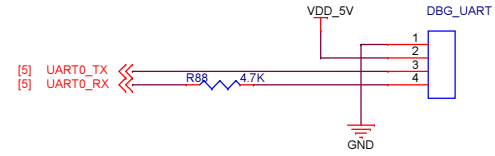
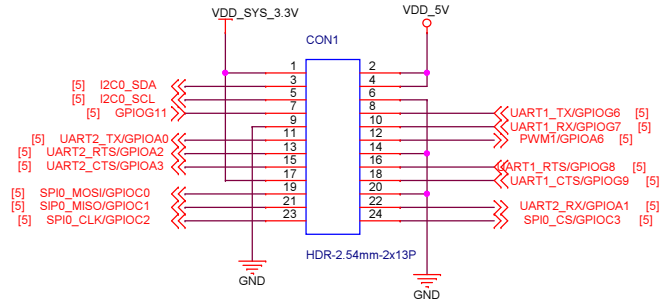
NanoPi NEO Air		
Size A3	Document Number 08:Power-02	Rev 1608
Date:	Wednesday, September 28, 2016	Sheet 8 of 13

MicroSD

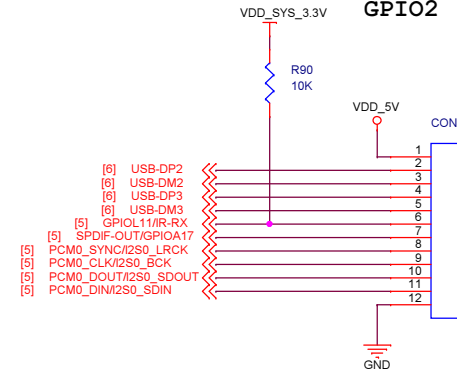


GPIO

GPIO1



GPIO2



FRIENDLYARM

NanoPi NEO Air		
Size A3	Document Number 11:GPIO	Rev 1608
Date:	Wednesday, September 28, 2016	Sheet 10 of 13

